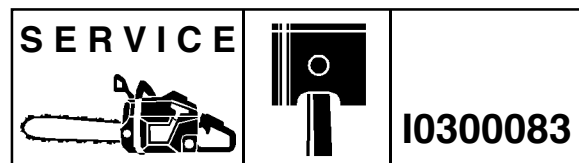


Jonsered



IPL, HT 2122 T, HT 2126 T, 2003-05, 106 26 27-62

HT 2122 T

HT 2126 T

Spare parts

Ersatzteile

Pièces détachées

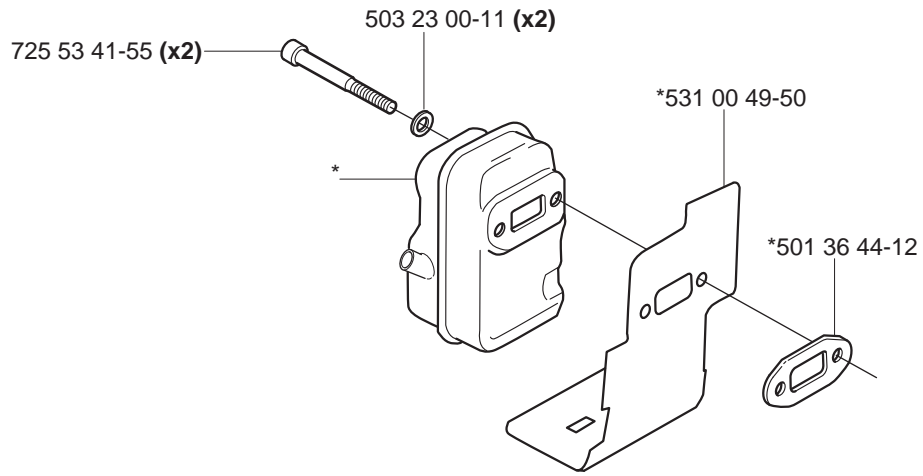
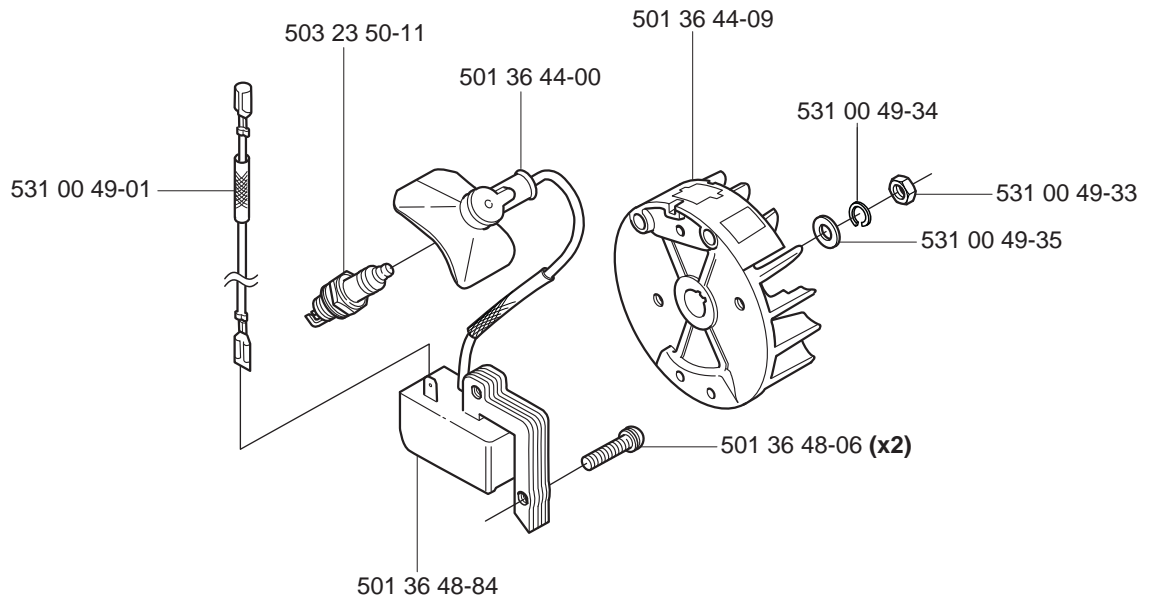
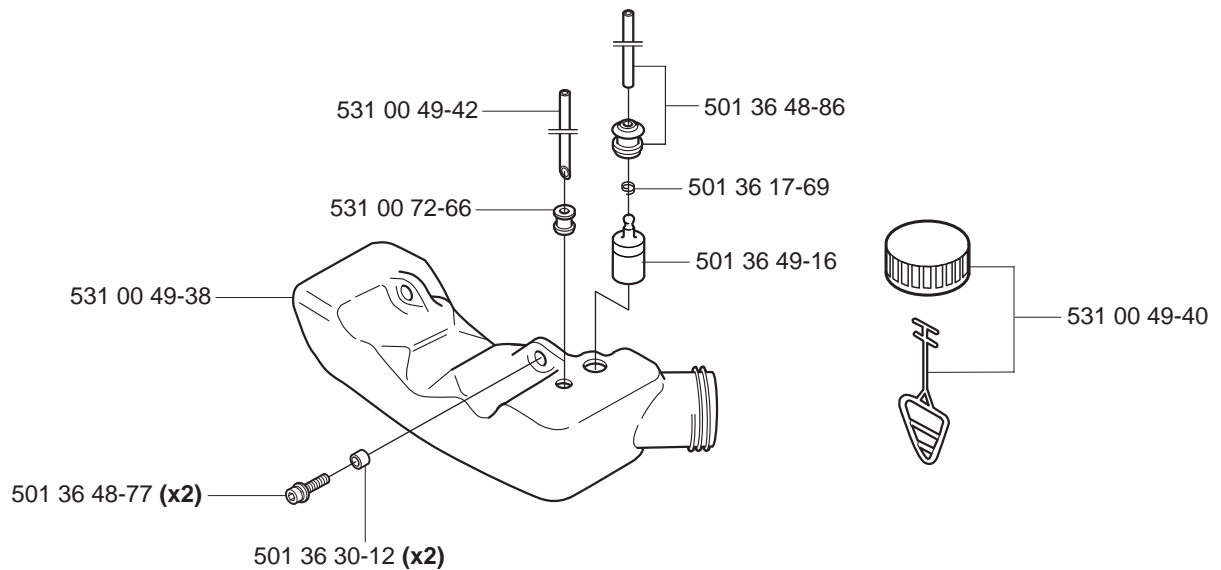
Reserve onderdelen

Repuestos

Reservdelar

A

*compl 531 00 00-26

**B****C**

D

(HT 2122T) 531 00 49-26
(HT 2126T) 531 00 49-27

531 00 49-28 (x2)

501 36 44-02

*(HT 2122T) 501 36 20-14 (x1)
*(HT 2126T) 501 36 18-52 (x2)

*compl 531 00 49-30 (HT 2122T)
*compl 531 00 49-31 (HT 2126T)

531 00 49-29*

*501 36 44-04

531 00 49-32

*531 00 49-29

501 36 21-76** (0,10 mm)
501 36 21-77** (0,15 mm)
501 36 21-78** (0,20 mm)
501 36 21-31** (0,30 mm)

501 36 44-05 [531 00 49-32

531 00 49-37**

501 36 20-04**

501 36 20-04**

531 00 49-36 (x3)

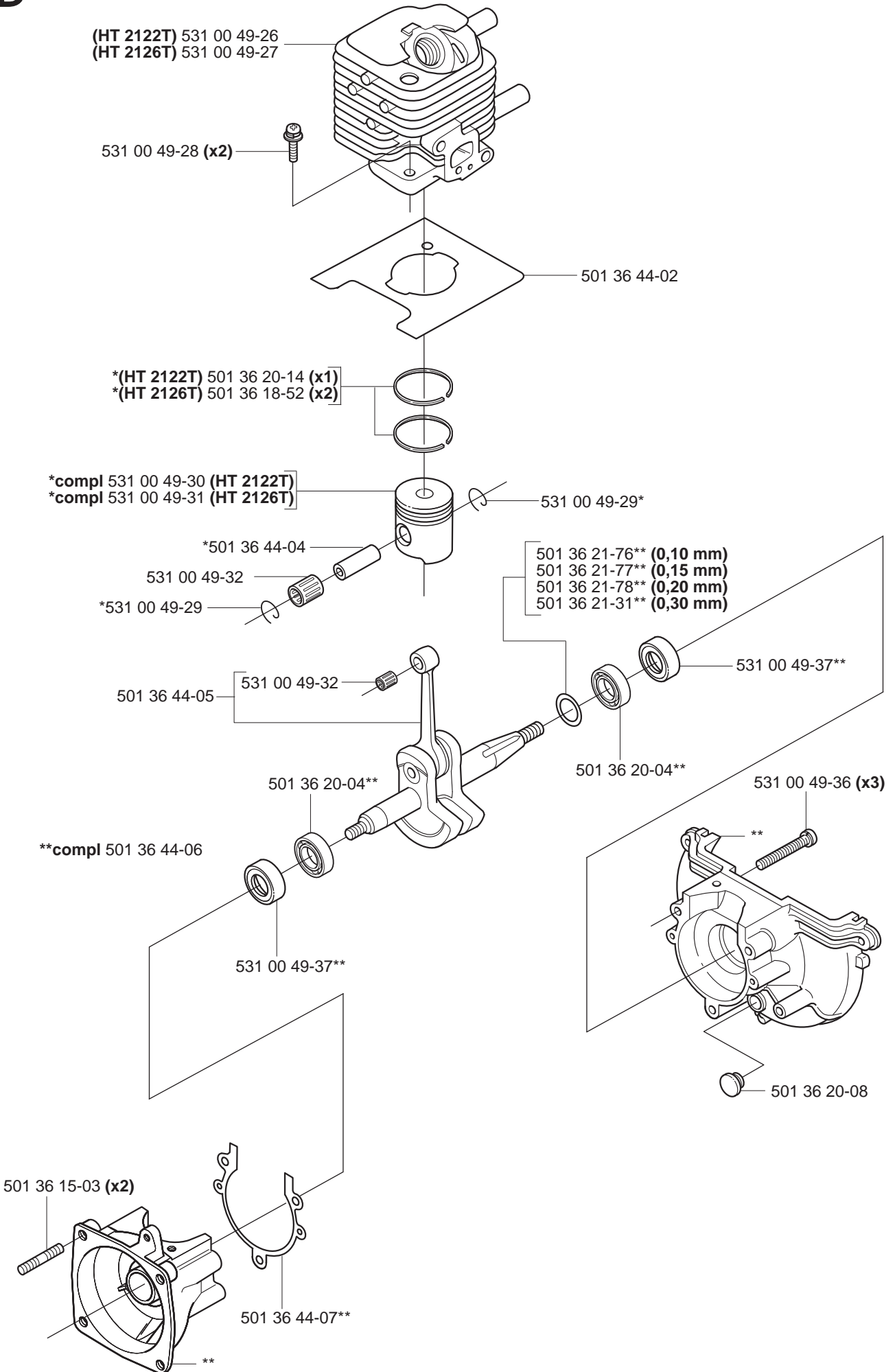
**compl 501 36 44-06

531 00 49-37**

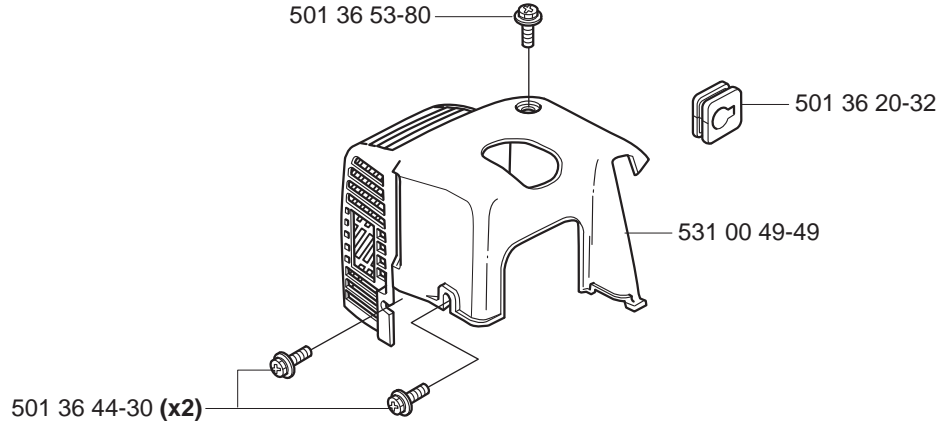
501 36 15-03 (x2)

501 36 44-07**

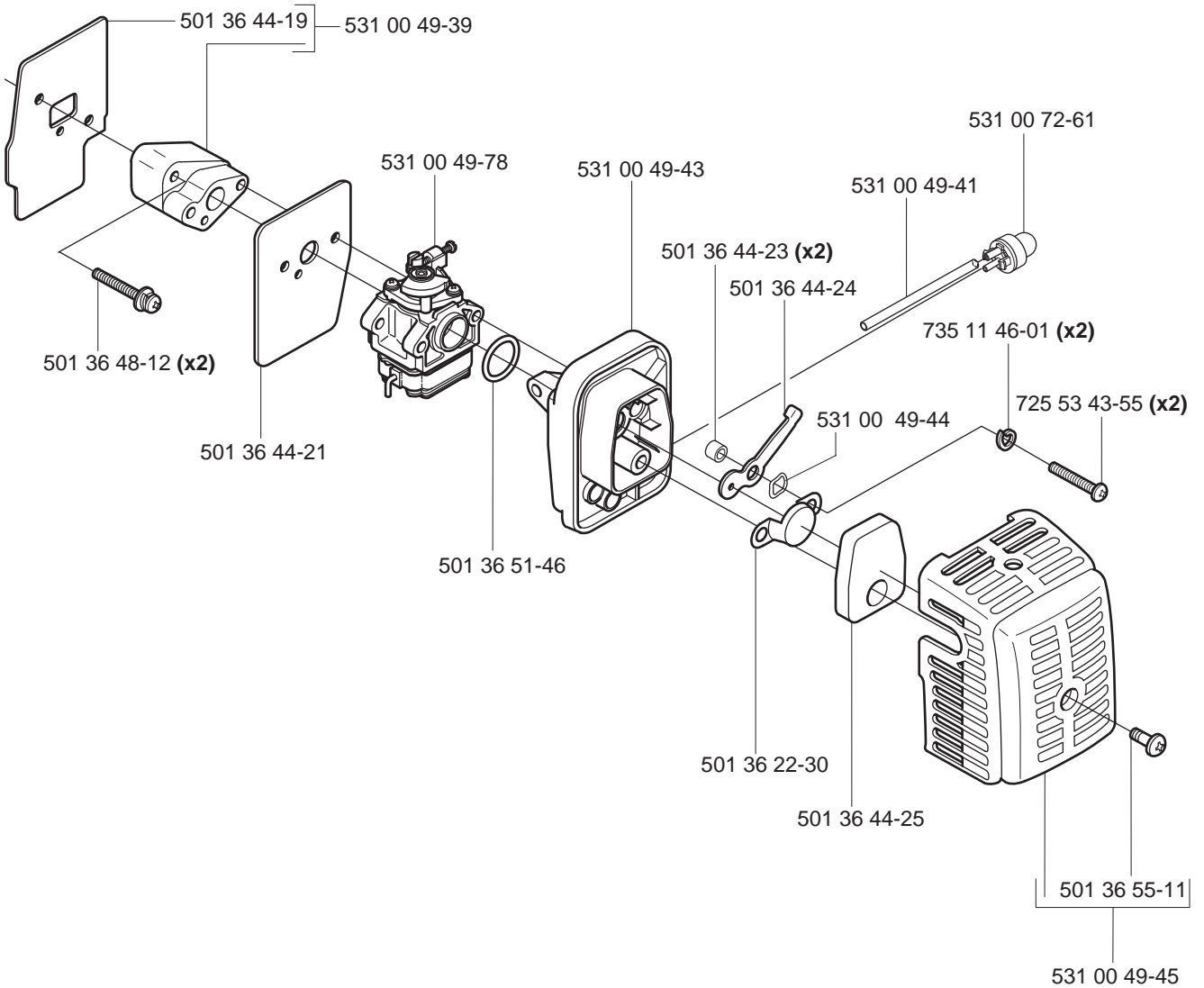
501 36 20-08



E

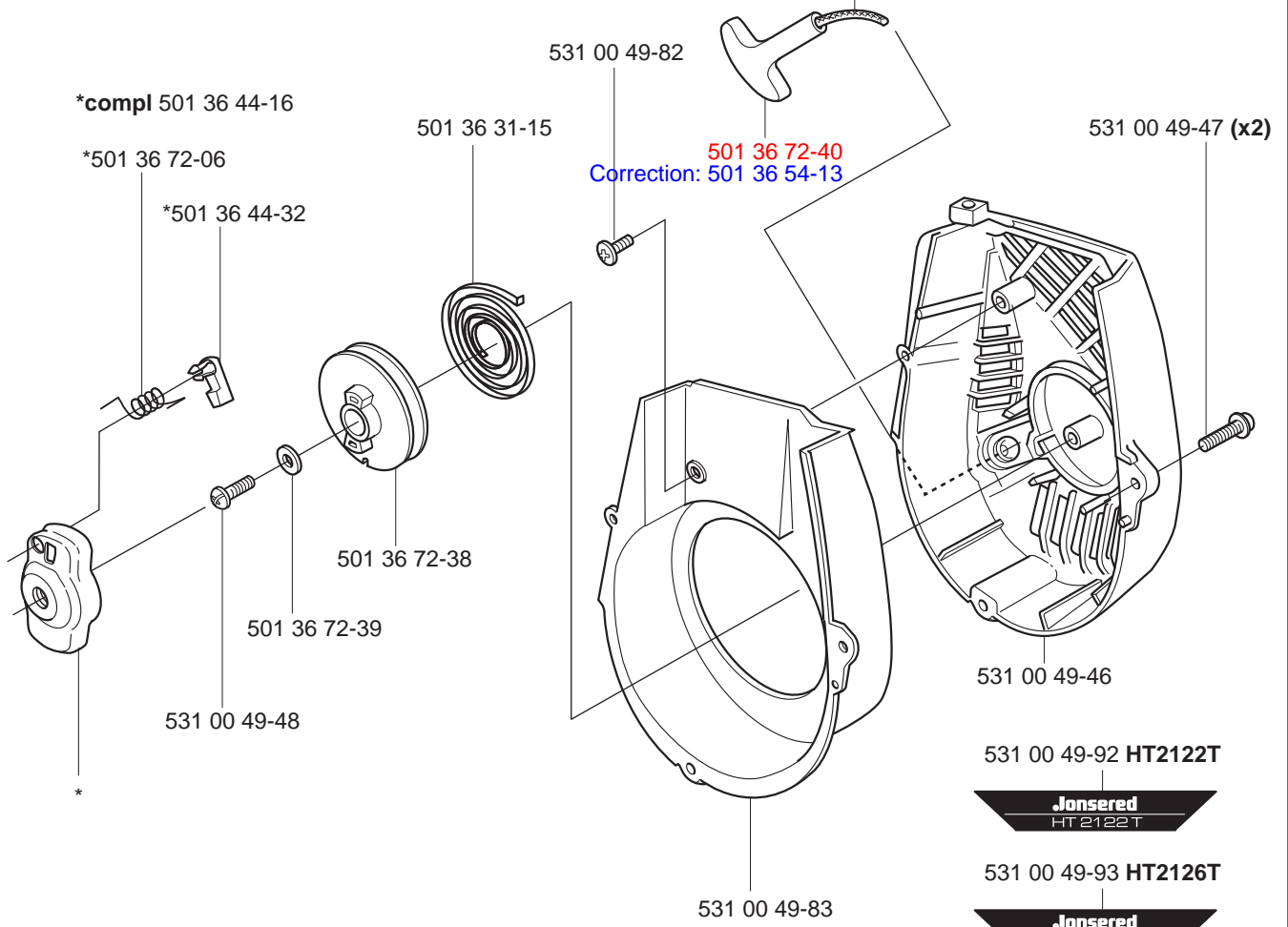


F

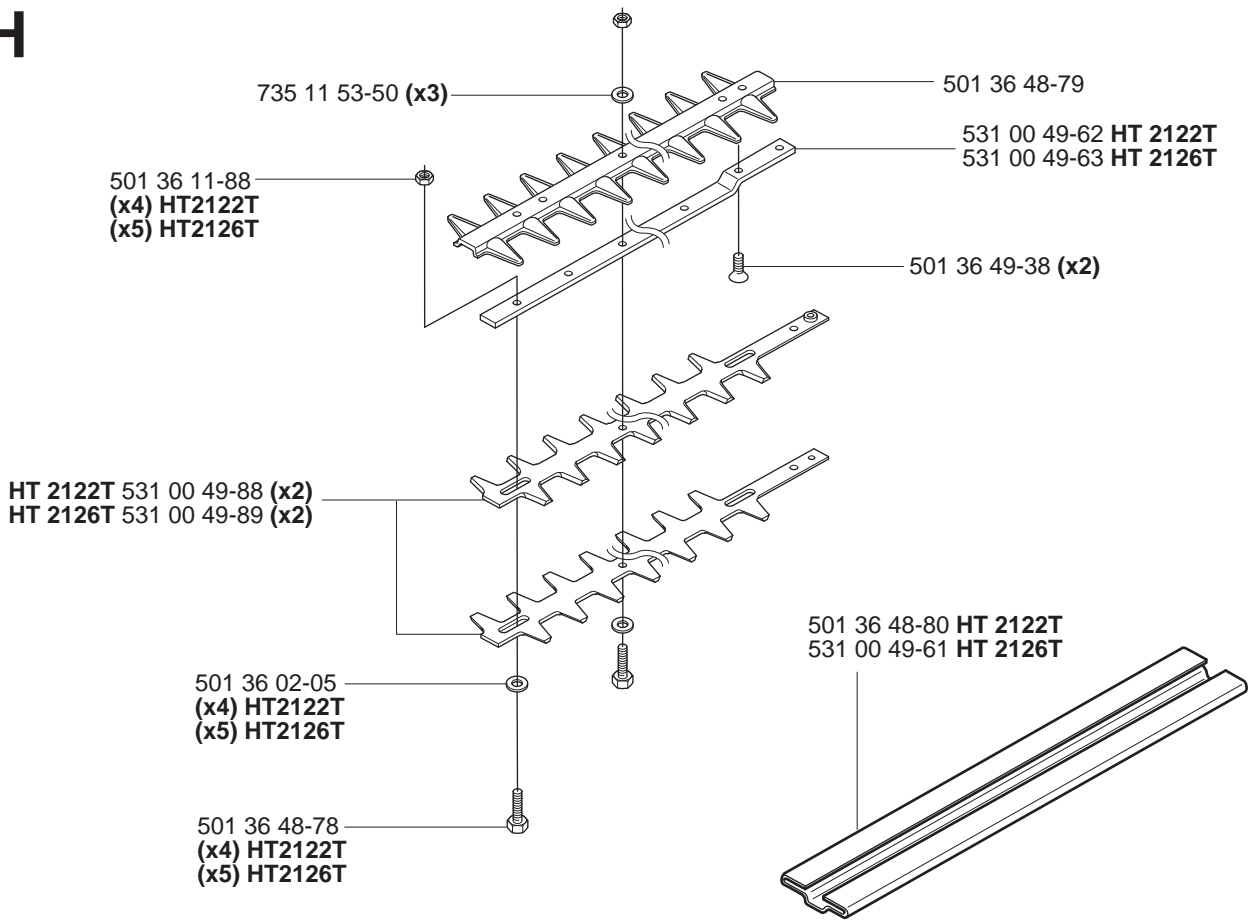


G

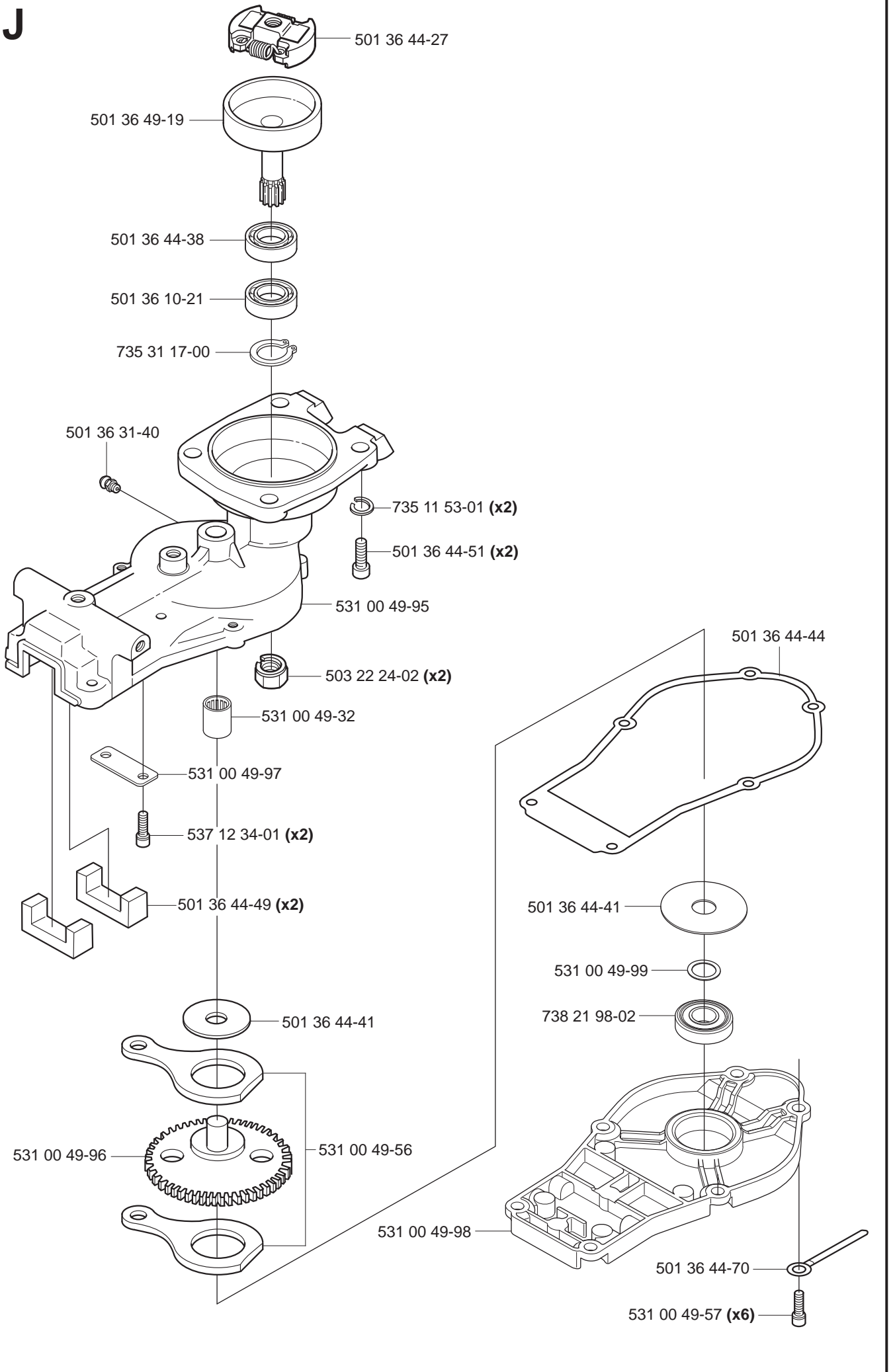
Correction: 501 36 72-40
501 36 54-13



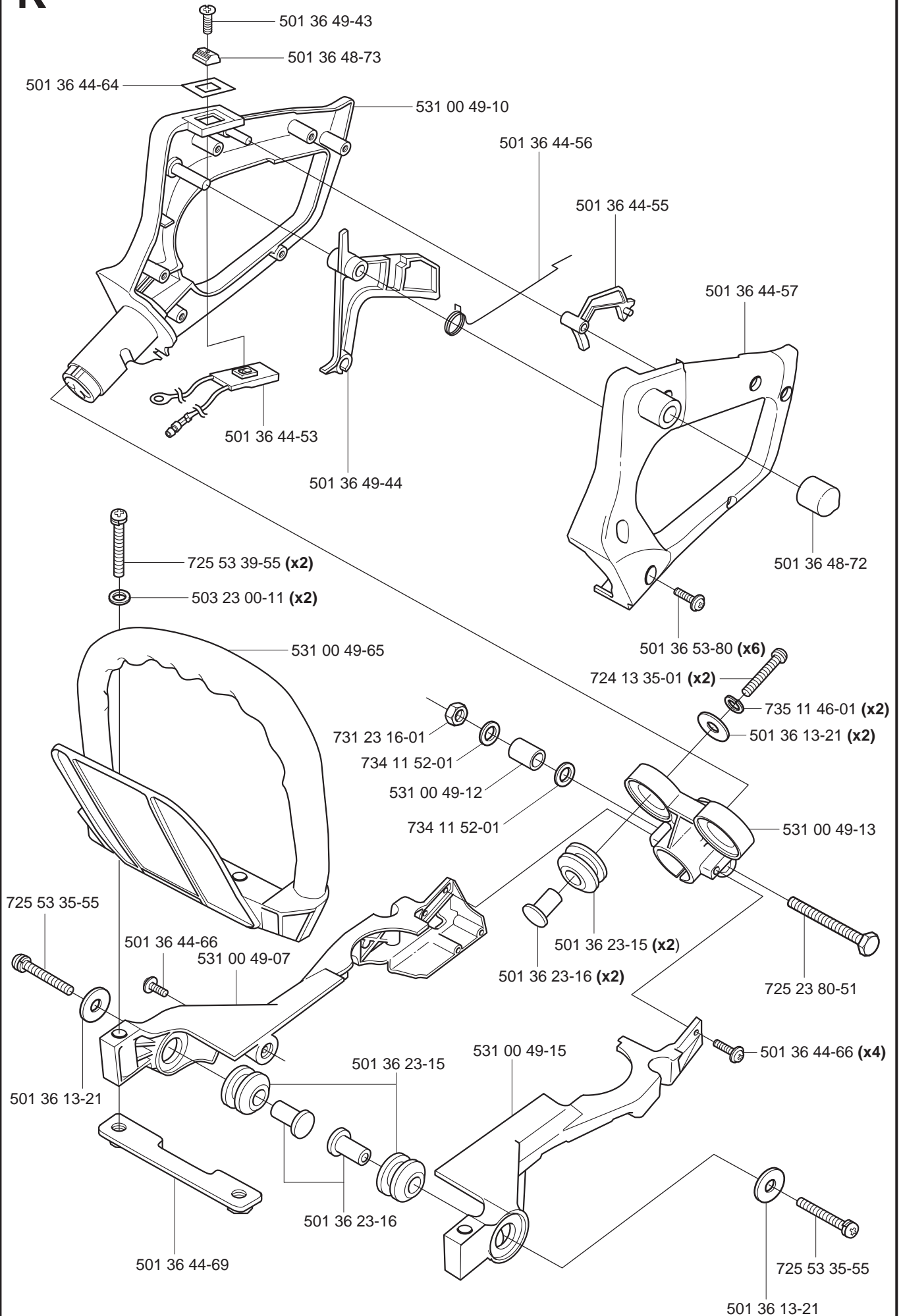
H

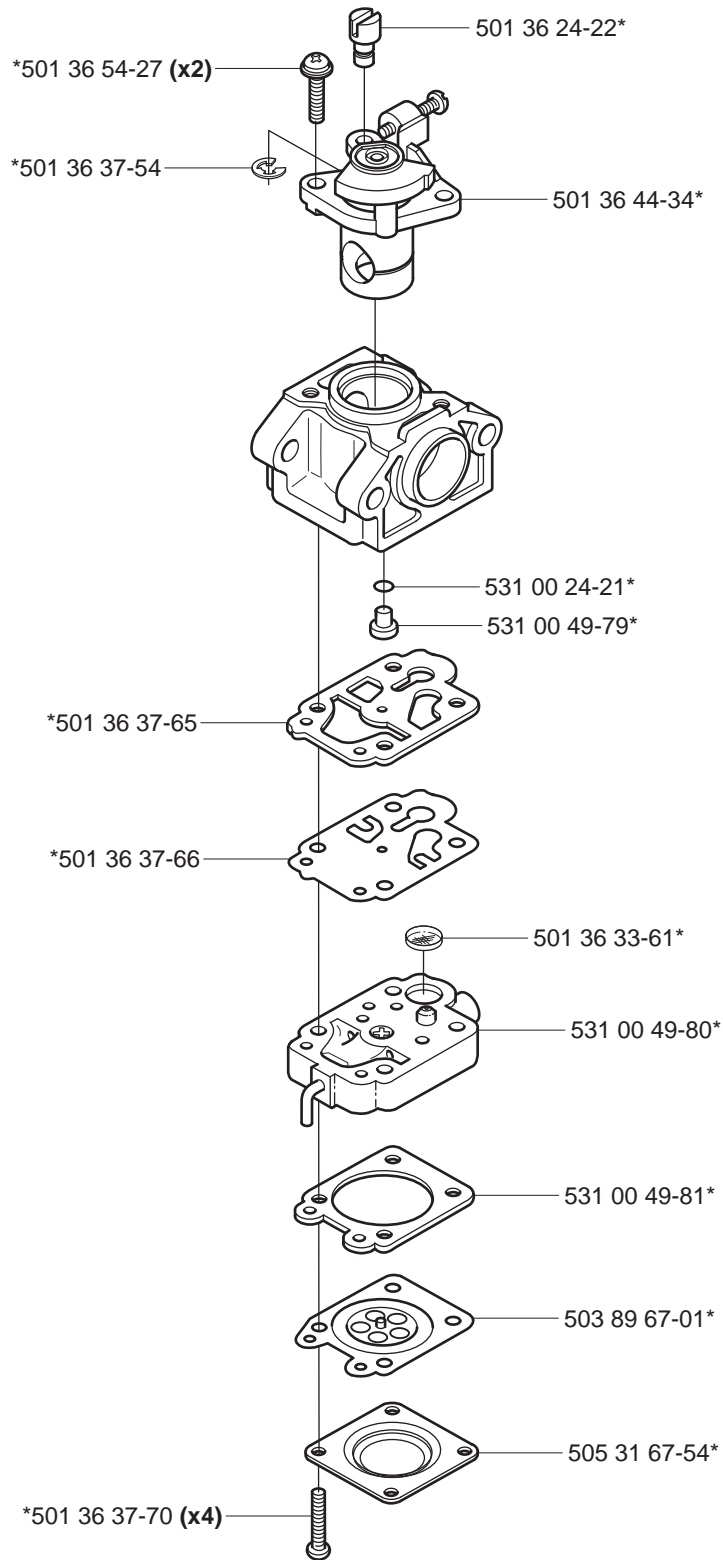


J



K



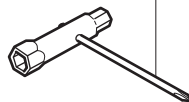


M Accessories
 Zubehöre
 Accessoires
 Accesorios
 Tillbehör

501 36 23-79



501 36 23-78



531 00 80-04 Smörja



531 00 80-05 Smörja Extra



PART NUMBER	SQUARE NOTE	PART NUMBER	SQUARE NOTE	PART NUMBER	SQUARE NOTE	PART NUMBER	SQUARE NOTE
501 36 02-05	H	501 36 49-16	C	531 00 49-98	J N		
501 36 10-21	J	501 36 49-19	J	531 00 49-99	J N		
501 36 11-88	H	501 36 49-38	H	531 00 72-61	F		
501 36 13-21	K	501 36 49-43	K	531 00 72-66	C		
501 36 15-03	D	501 36 49-44	K	531 00 80-04	M		
501 36 17-69	C	501 36 51-46	F	531 00 80-05	M		
501 36 18-52	D	501 36 53-80	EK	537 12 34-01	J N		
501 36 20-04	D	501 36 54-13	G	724 13 35-01	K		
501 36 20-08	D	501 36 54-27	L	725 23 80-51	K		
501 36 20-14	D	501 36 55-11	F	725 53 35-55	K		
501 36 20-32	E	501 36 72-06	G	725 53 39-55	K		
501 36 21-31	D	501 36 72-38	G	725 53 41-55	A		
501 36 21-76	D	501 36 72-39	G	725 53 43-55	F		
501 36 21-77	D	501 36 72-40	G	731 23 16-01	K		
501 36 21-78	D	503 22 24-02	J	734 11 52-01	K		
501 36 22-30	F	503 23 00-11	AK	735 11 46-01	FK		
501 36 23-15	K	503 23 50-11	B	735 11 53-01	J		
501 36 23-16	K	503 89 67-01	L	735 11 53-50	H		
501 36 23-78	M	505 31 67-54	L	735 31 17-00	J		
501 36 23-79	M	531 00 24-21	L	738 21 98-02	J N		
501 36 24-22	L	531 00 49-01	B				
501 36 30-12	C	531 00 49-07	K				
501 36 31-15	G	531 00 49-10	K				
501 36 31-40	J	531 00 49-12	K				
501 36 33-61	L	531 00 49-13	K				
501 36 37-54	L	531 00 49-15	K				
501 36 37-65	L	531 00 49-26	D				
501 36 37-66	L	531 00 49-27	D				
501 36 37-70	L	531 00 49-28	D				
501 36 44-00	B	531 00 49-29	D				
501 36 44-02	D	531 00 49-30	D				
501 36 44-04	D	531 00 49-31	D				
501 36 44-05	D	531 00 49-32	DJ				
501 36 44-06	D	531 00 49-33	B				
501 36 44-07	D	531 00 49-34	B				
501 36 44-09	B	531 00 49-35	B				
501 36 44-12	A	531 00 49-36	D				
501 36 44-16	G	531 00 49-37	D				
501 36 44-19	F	531 00 49-38	C				
501 36 44-21	F	531 00 49-39	F				
501 36 44-23	F	531 00 49-40	C				
501 36 44-24	F	531 00 49-41	F				
501 36 44-25	F	531 00 49-42	C				
501 36 44-27	J	531 00 49-43	F				
501 36 44-30	E	531 00 49-44	F				
501 36 44-32	G	531 00 49-45	F				
501 36 44-34	L	531 00 49-46	G				
501 36 44-38	J	531 00 49-47	G				
501 36 44-41	J	531 00 49-48	G				
501 36 44-44	J	531 00 49-49	E				
501 36 44-49	J	531 00 49-50	A N				
501 36 44-51	J	531 00 49-56	J				
501 36 44-53	K	531 00 49-57	J				
501 36 44-55	K	531 00 49-61	H				
501 36 44-56	K	531 00 49-62	H				
501 36 44-57	K	531 00 49-63	H				
501 36 44-64	K	531 00 49-65	K				
501 36 44-66	K	531 00 49-78	LF				
501 36 44-69	K	531 00 49-79	L				
501 36 44-70	J	531 00 49-80	L				
501 36 48-06	B	531 00 49-81	L				
501 36 48-12	F	531 00 49-82	G				
501 36 48-72	K	531 00 49-83	G				
501 36 48-73	K	531 00 49-88	H N				
501 36 48-77	C	531 00 49-89	H N				
501 36 48-78	H	531 00 49-92	G N				
501 36 48-79	H	531 00 49-93	G N				
501 36 48-80	H	531 00 49-95	J N				
501 36 48-84	B	531 00 49-96	J N				
501 36 48-86	C	531 00 49-97	J N				

N = New part
Neues teil
Nouvelle piece
Nueva pieza
Ny detalj